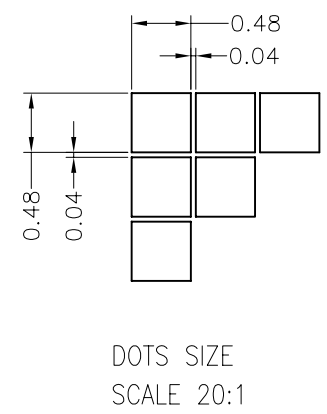
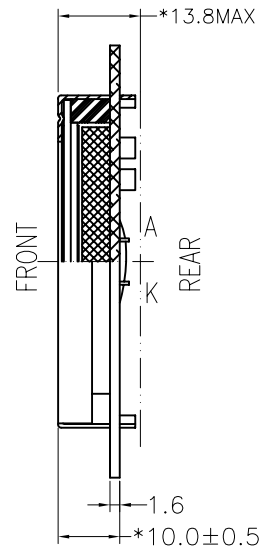
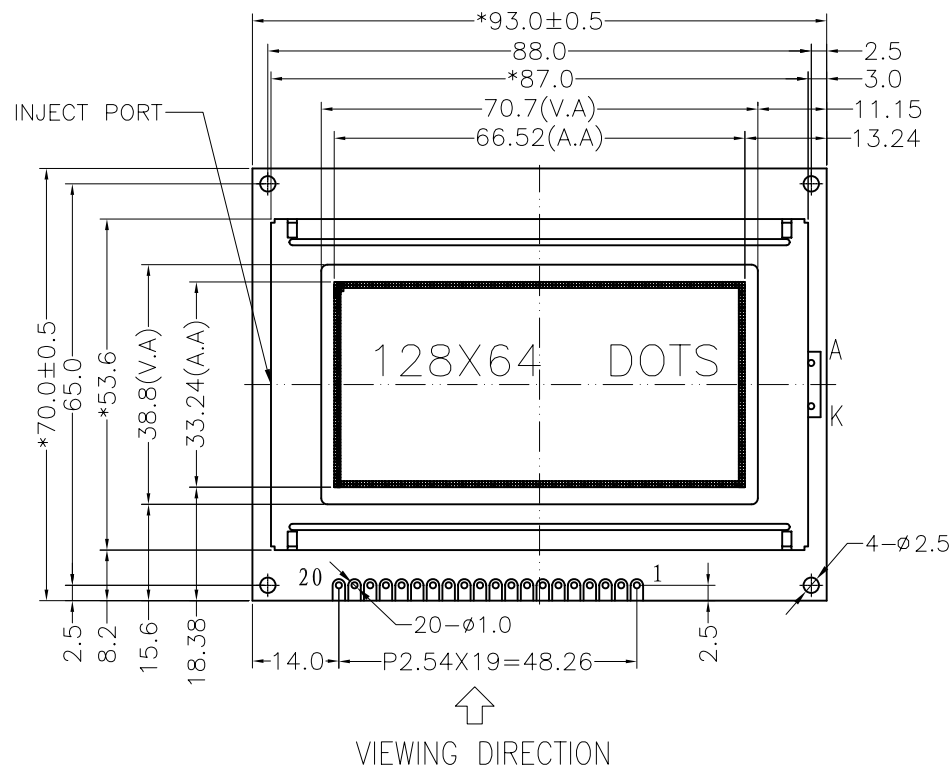


REV 版本	DESCRIPTION 描述	DATE 日期
A	First issue	May-13-2008



Specification:

- 1). Driving: Duty:1/64,Bias:1/6, VLCD:8.0V, VDD:5.0V
- 2). Viewing angle: 6 O'clock
- 3). Display mode:STN/Positive/Transflective/Grey
- 4). Operating temp.: -20°C~+70°C
Storage temp.: -30°C~+80°C
- 5). IC: SBN0064G-D (or compatible)
- 6). Backlight: Bottom, Yellow-green
- 7). Dimensions with mark "*" are important, with mark "(") are referenced
- 8). All the raw materials are RoHS compliant.

PIN	1	2	3	4	5	6	7	8	9	10
CONNECTION	VSS	VDD	VO	RS	R/W	E	DB0	DB1	DB2	DB3
PIN	11	12	13	14	15	16	17	18	19	20
CONNECTION	DB4	DB5	DB6	DB7	CS1	CS2	RST	VEE	LEDA	LEDK

<p>深圳秋田微电子有限公司 SHENZHEN AV-DISPLAY CO.,LTD.</p>			SCALE: FIT 适应图面 比例		
			SHEET: 1 OF 1 页次		
PART NO: C/D结构图 零件编码		PROJECTION: 三角法	MODULE NUMBER: ABG128064A36-GHY-R 模组型号	APPROVALS: 签字	UNIT 单位: mm DATE 日期
<p>ABG128064A36-GHY-R</p>			APP:		
			CHK:		
DO NOT SCALE THIS DRAWING.			DWN:		